

New release: 32k steps type

FP2SH series



The wide selection of FP2SH units covers a variety of applications.

Backplanes



Power supply units



CPU units



Optional memory



32k steps **NEW**
60k steps
60k steps (for IC card)
120k steps (for IC card)

Input and output units



16/32/64 points input
6/16/32/64 points output
32 points input/32 points output mixed

Network-related units



FL-NET
Ethernet
VE link
S-LINK
PROFIBUS
DeviceNet
CANopen
Remote I/O
Multi-wire link
C.C.U.
S.D.U.
M.C.U.
Profinet IO

Positioning units



2 axes/4 axes/8 axes
RTEX
Multi function type
Interpolation type

Analog input/output units and others

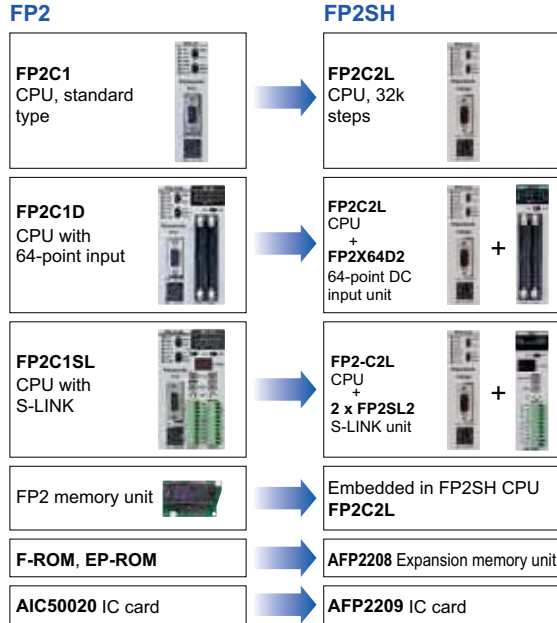


Voltage/current input
Multiple analog input
R.T.D. input
Analog output
High-speed counter
Pulse I/O

FP2SH series

REPLACEMENT OF FP2

We recommend that you replace your FP2 with the 32k steps type FP2SH.



Specification comparison

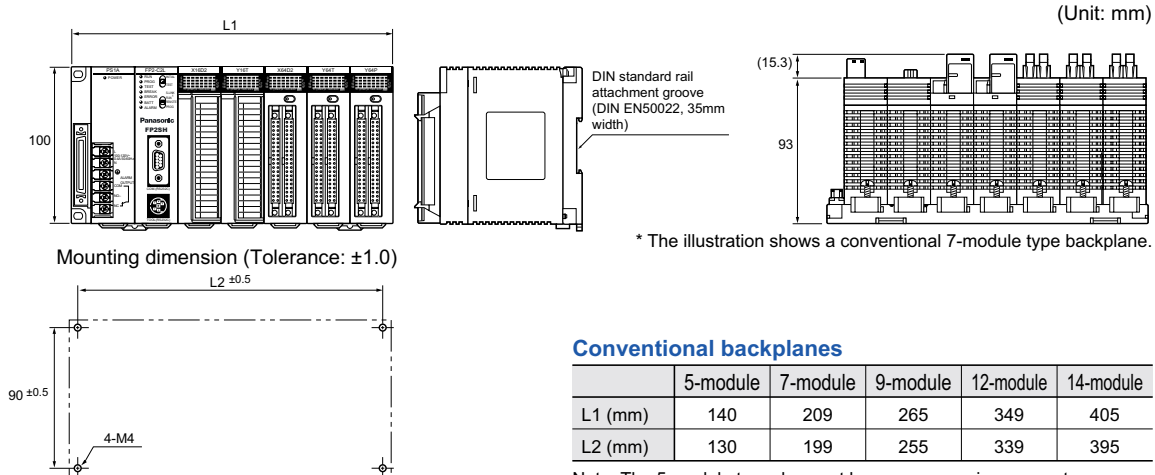
Series		FP2	FP2SH 32k steps type
Item	Operation speed	350ns/step (for basic instruction) 930ns/step (for high-level instruction)	30ns/step (for basic instruction) 60ns/step (for high-level instruction)
	Program capacity	16k steps	32k steps
Number of controllable I/O points		2048 points max.	2048 points max.
Operation memory	Internal relay	4048 points	14192 points
	Data register	6000 words	10240 words
	File register	0 to 14333 words (0 to 30717 words when expanded)	32765 words
	Link data register	256 words	8448 words
Comment memory/calendar timer		Option	Built-in
Max. expansion (H type)		3 backplanes 32 units 2048 I/O points 2048 remote I/O points	3 backplanes 32 units 2048 I/O points 8192 remote I/O points

Note: Please check the operation speed and other performance indicators of the replacement unit.
There are no differences in the dimensions.

PRODUCT TYPE

Product name	Specifications	Part no.
FP2SH CPU	32k steps	FP2C2L
FP2SH expansion memory unit	Equivalent to expansion memory unit FP2EM7 + F-ROM AFP5208	AFP2208

DIMENSIONS



Conventional backplanes

	5-module	7-module	9-module	12-module	14-module
L1 (mm)	140	209	265	349	405
L2 (mm)	130	199	255	339	395

Note: The 5-module type does not have an expansion connector.

H type backplanes

	11-module (master backplane)	10-module (expansion backplane)
L1 (mm)	349	349
L2 (mm)	339	339

Notice of discontinuation of FP2

We will discontinue the production of FP2 because parts and optional memory for FP2 CPUs became difficult to obtain.

- End of order acceptance: end of March 2012
- End of repair service: end of March 2019