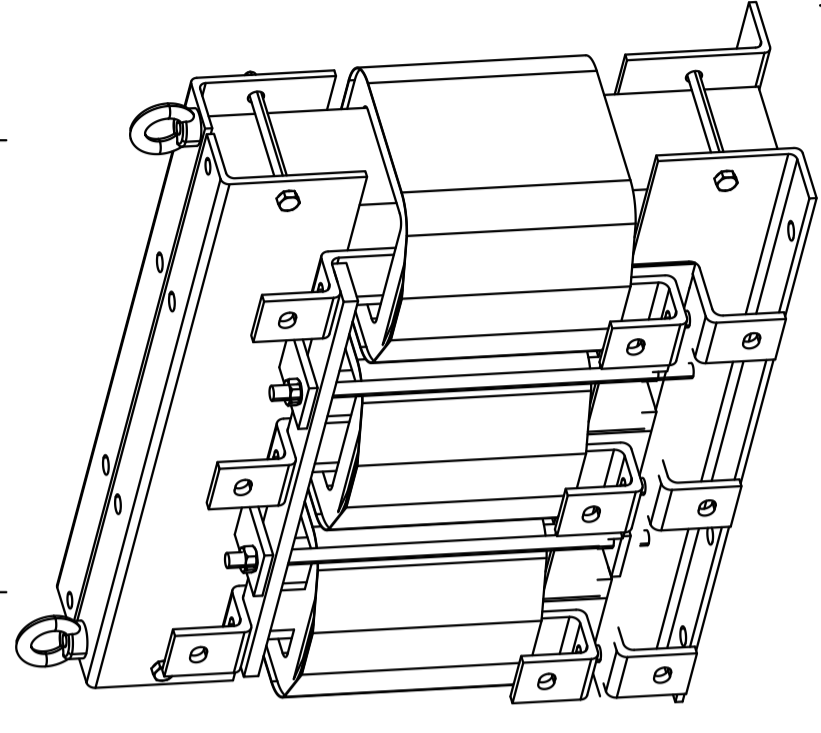
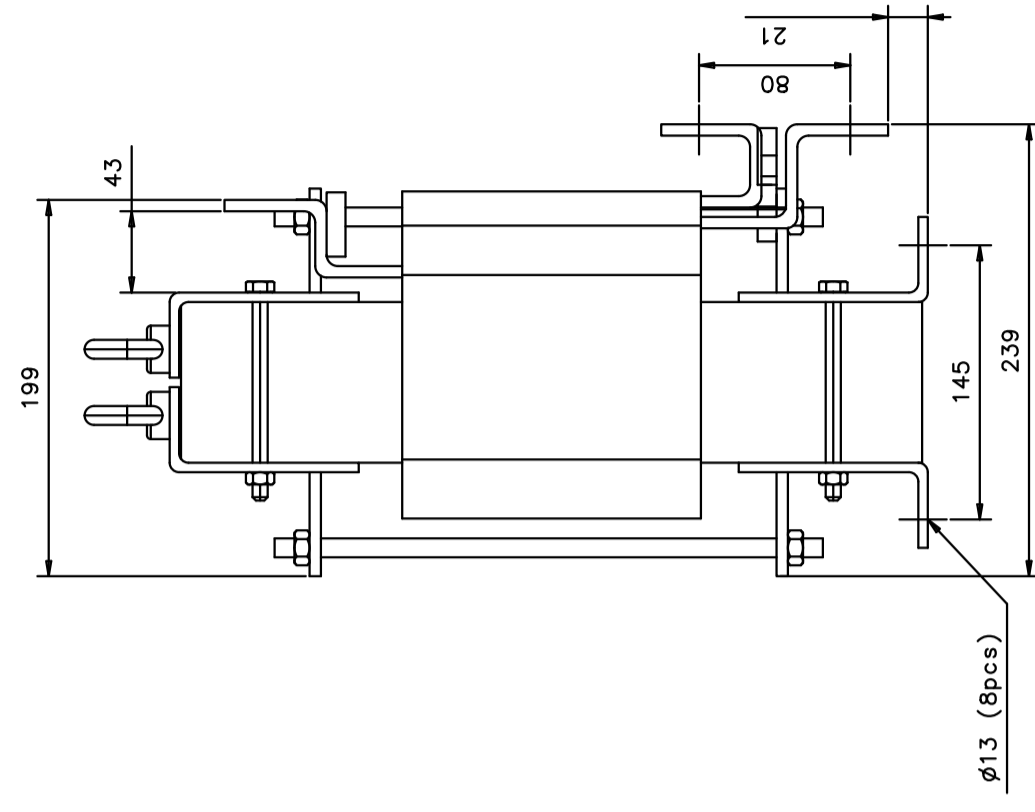
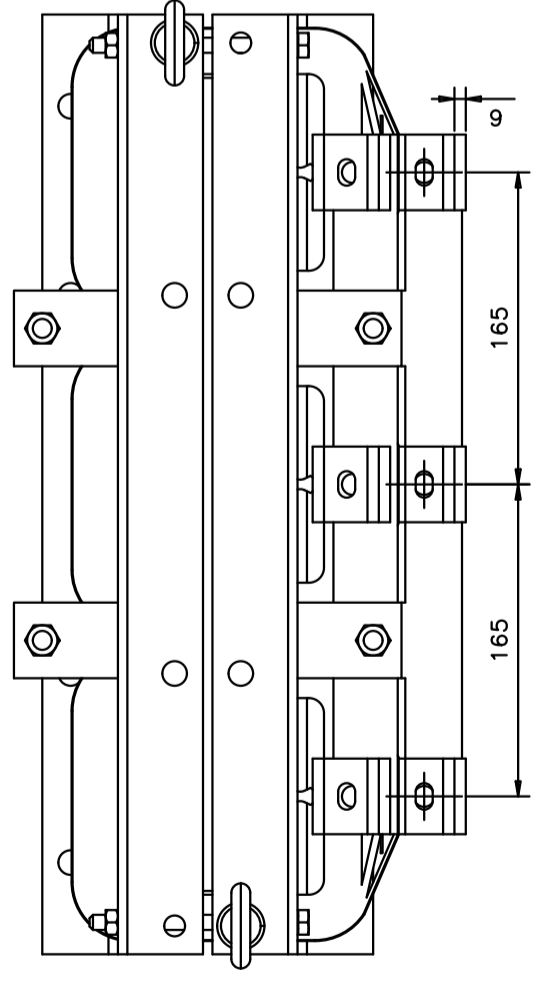
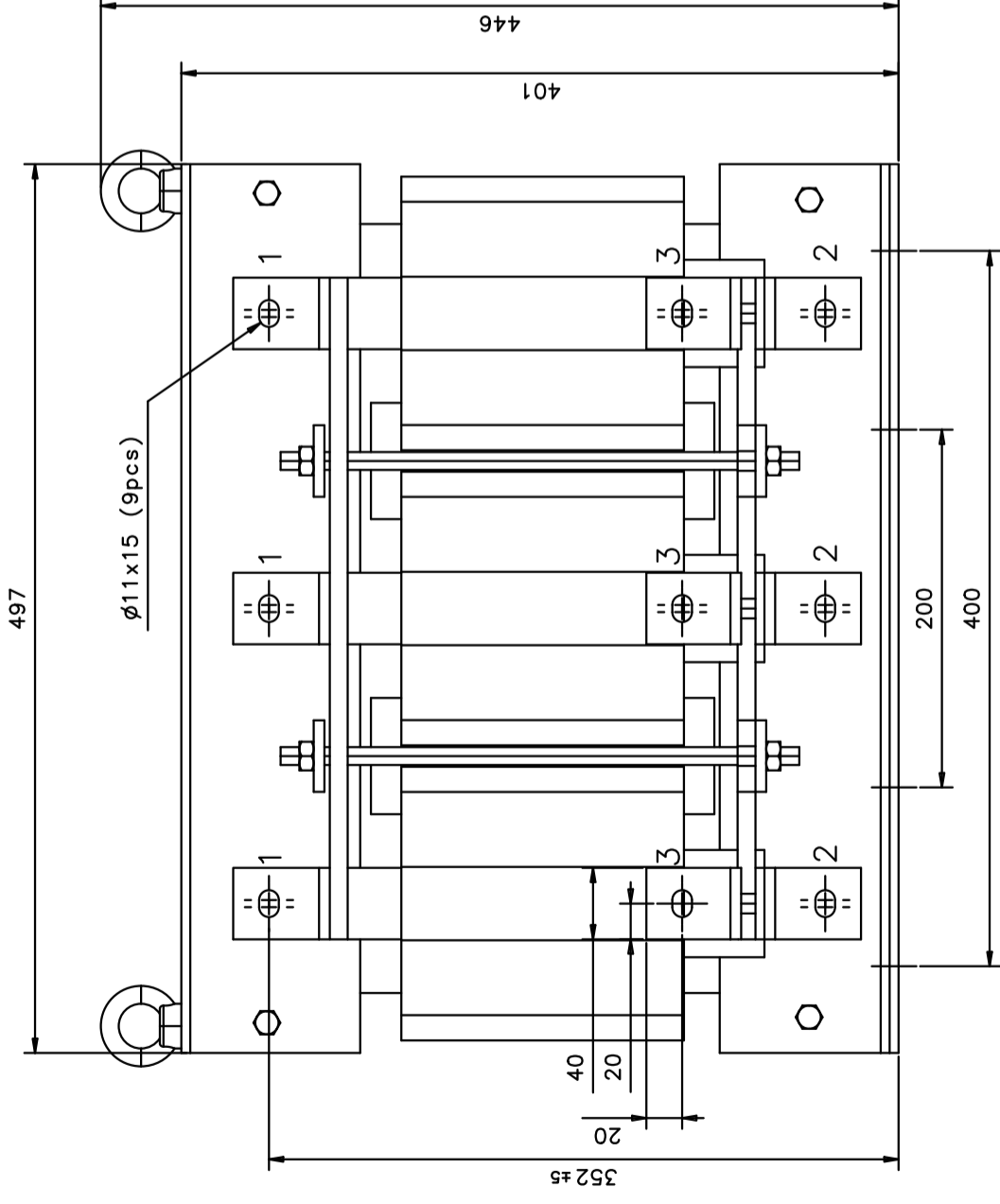


REV1	
REV2	
REV3	
REV4	
REV5	
REV6	

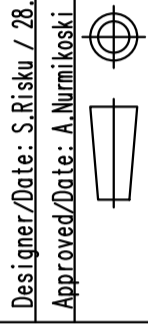


Mass: 115kg

**VACON**

Material:  
Finishing:

Product: CHK0520  
Name: Dimension drawing  
Add. Info 1:  
Add. Info 2:



Designer/Date: S.Risku / 28.02.2012  
Approved/Date: A.Nurmikoski / 28.02.2012  
Scale: 1:4  
Doc. no. PP01109

Sheet: A3  
Page: 1/1  
Revision: A