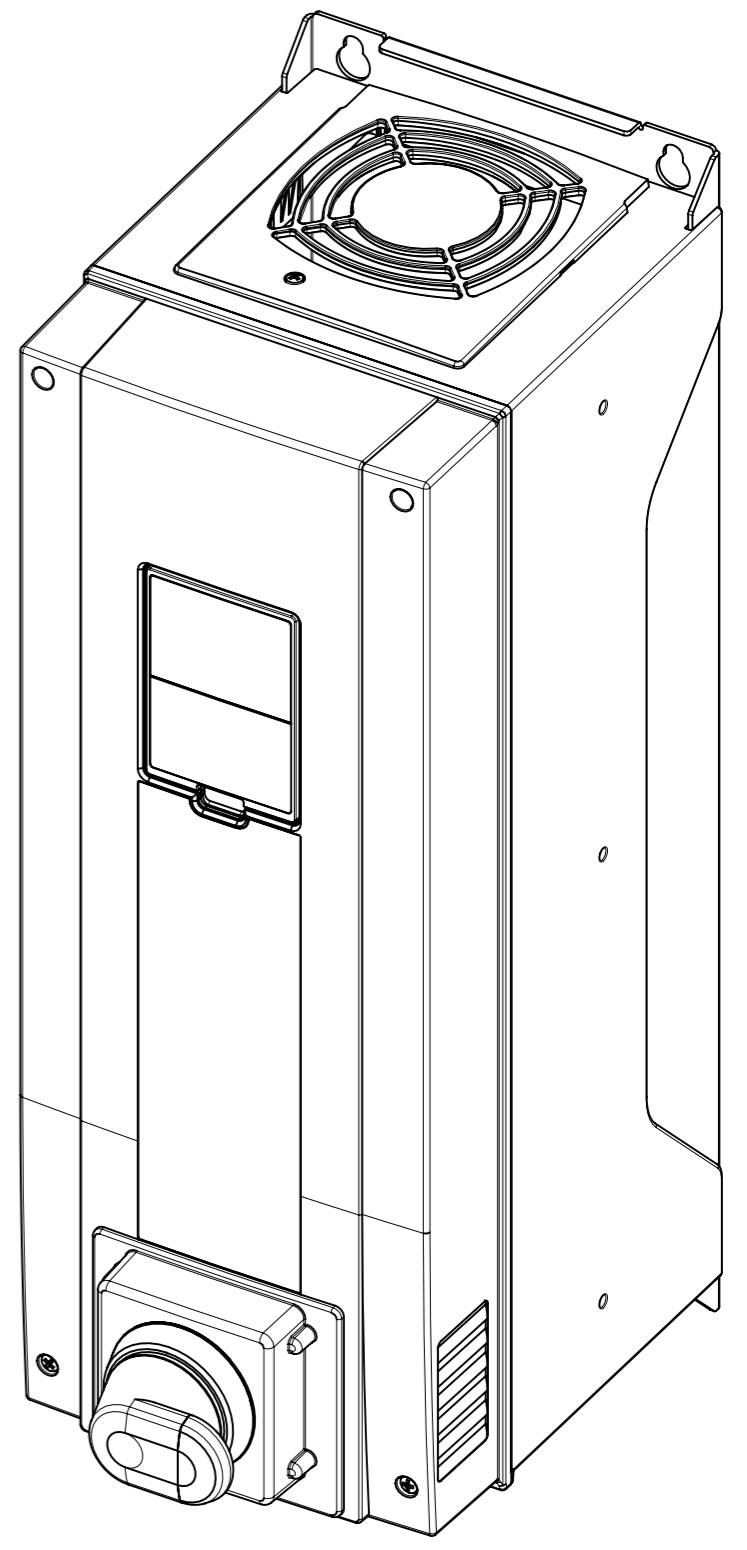
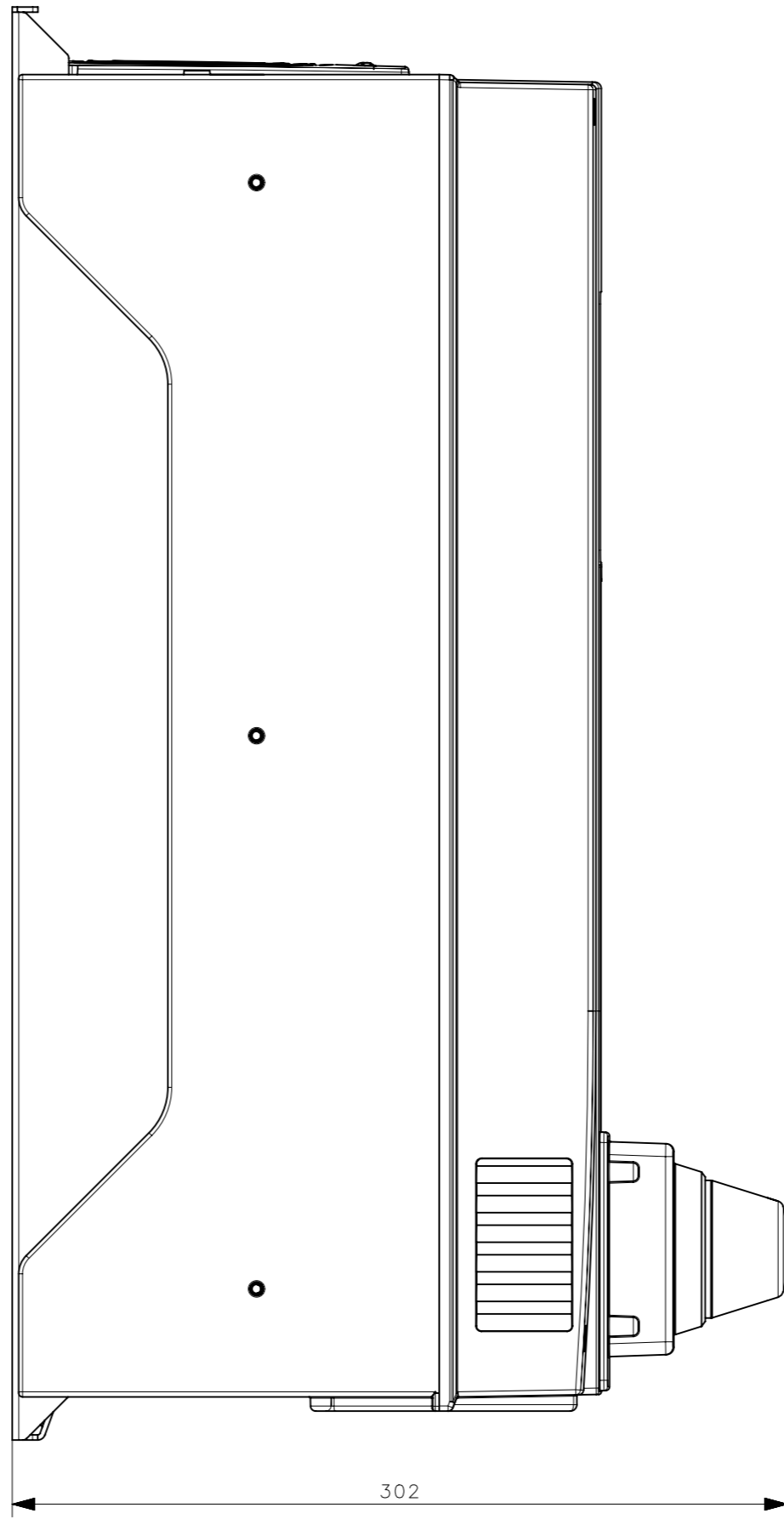
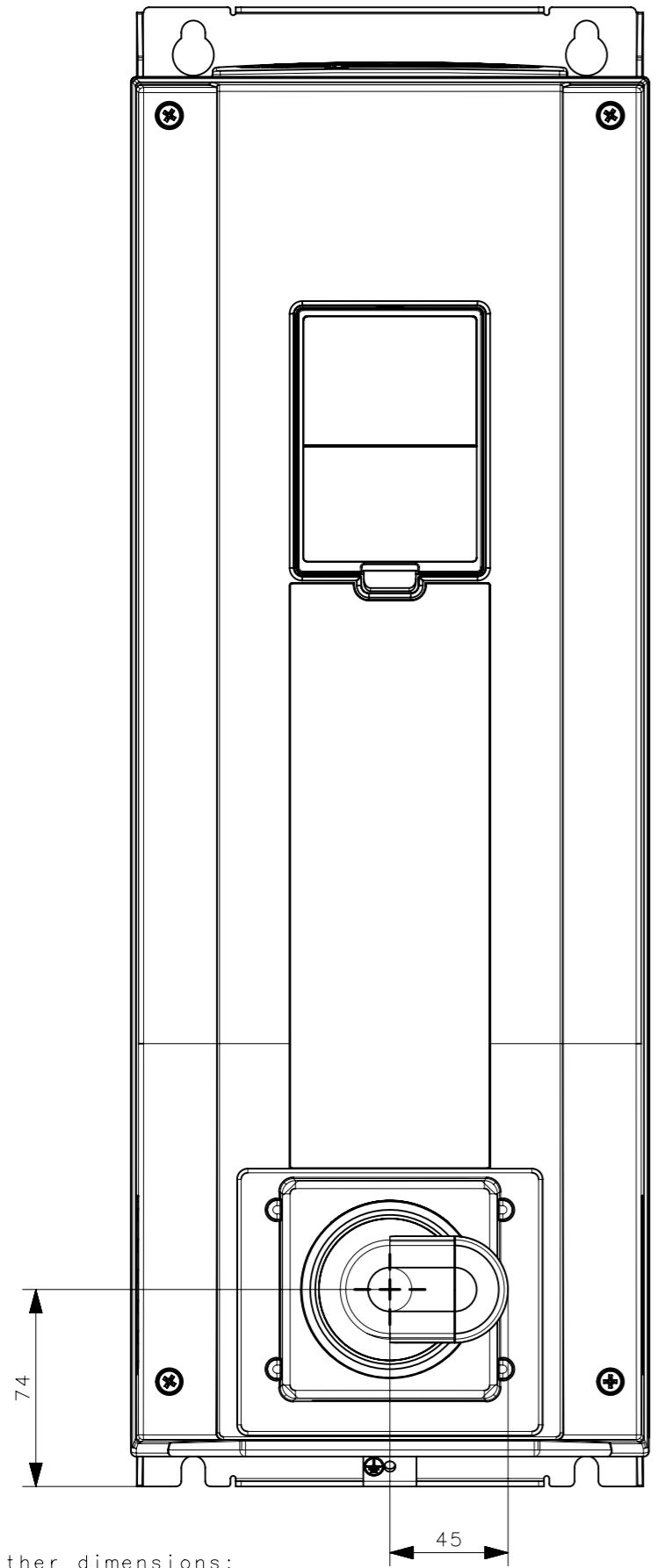


© Reproduction, use or disclosure to third party forbidden. All rights reserved.



Further dimensions:  
 DPD00012 - IP21/54 unit dimension drawing  
 DPD00013 - Flush mounting option dimension drawing

<b>VAGON</b>	Material: Finishing:	Product: Name: MR6 Dimension Drawing, Main Switch Add. Info 1: Add. Info 2:	Designer: 1.11.2011 P. Kinnari Approved: 1.11.2011 M. Pispa	Gen.Tol: Scale: 2:5	Sheet A3 Page 1/1
				Doc. no. 70CTC1102612	Revision A