

1 2 3 4 5 6 7 8

A

B

C

D

E

F

A

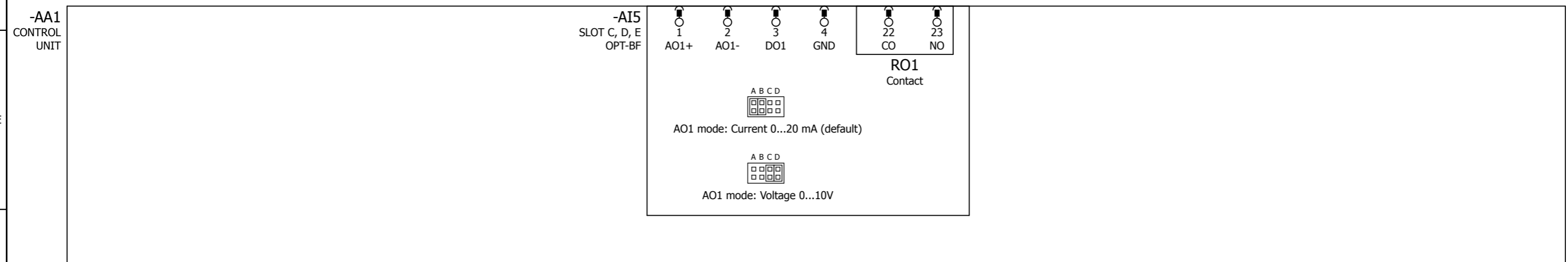
B

C

D

E

F



Project Id VACON_100_ENCLOSED_SML_CU
 Project name Project pilot
 Customer STANDARD DRAWINGS

Title

Prepared Prepared 7.3.2012
 Approved Approved by 7.3.2012
 Document kind

Based on
 Scale

External doc. Id
 Ref. designation OPTION BOARDS +BF
 Document Id
 ==V100=OPTION BOARDS++OPT-B+BF/SML

DCC Continue
 +B1/SML_A_742
 Rev. Lang. Page
 A_742 SML_A_742