

1 2 3 4 5 6 7 8

A

A

B

B

C

C

D

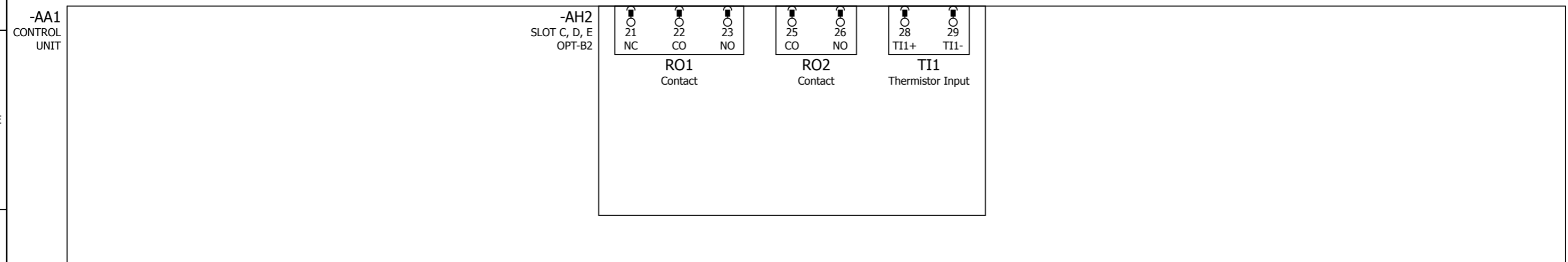
D

E

E

F

F



Project Id VACON\_100\_ENCLOSED\_SML\_CU  
 Project name Project pilot  
 Customer STANDARD DRAWINGS

Title

Prepared Prepared 7.3.2012  
 Approved Approved by 7.3.2012  
 Document kind

Based on  
 Scale

External doc. Id  
 Ref. designation OPTION BOARDS +B2  
 Document Id  
 ==V100=OPTION BOARDS++OPT-B+B2/SML

DCC Continue  
 +B4/SML\_A\_742  
 Rev. Lang. Page  
 A\_742 SML\_A\_742