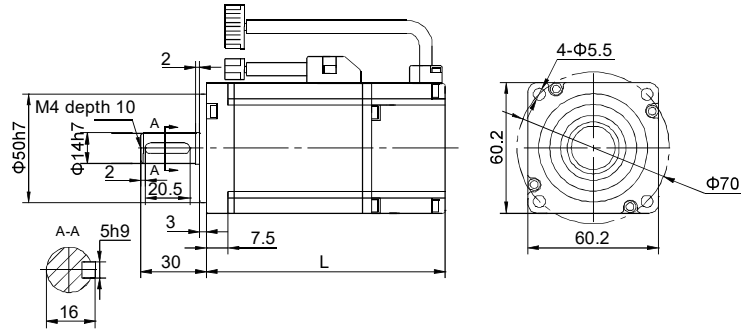
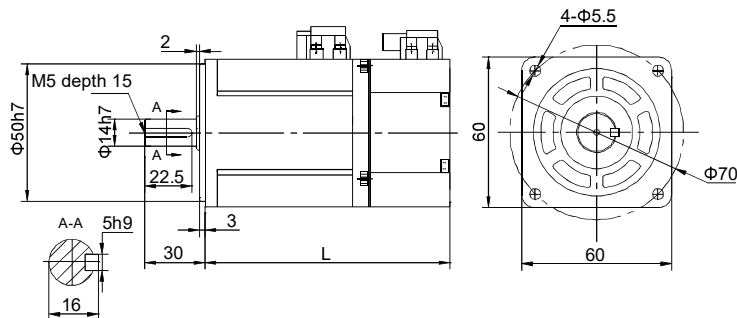


2.3.2 Outline and installation dimension for 60 base (mm)



Motor model (2500-PPR/multi-turn absolute value/rotary transformer)	L(mm)	
	W/o brake	Permanent magnet brake
SV-ML06-0R2G-2-□A□	116	164
SV-ML06-0R4G-2-□A□	141	189
SV-MH06-0R4G-2-□A□	147	191



Motor model (17-bit single-turn encoder)	L(mm)	
	W/o brake	Electromagnetic brake
SV-ML06-0R2G-2-3A□	114	147
SV-ML06-0R4G-2-3A□	133	167