



The terminal wiring is as follows:

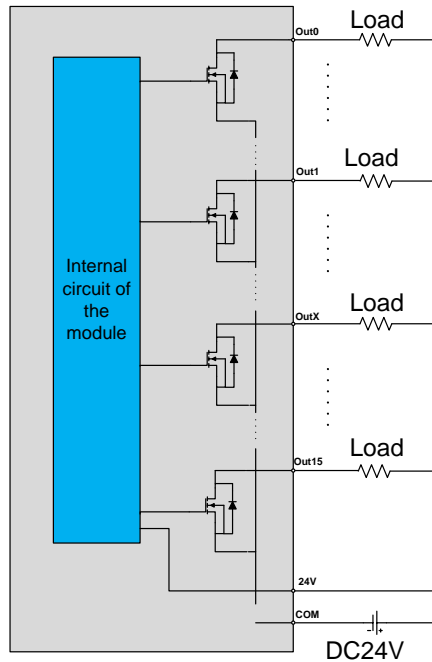


Figure 5.15 Terminal wiring

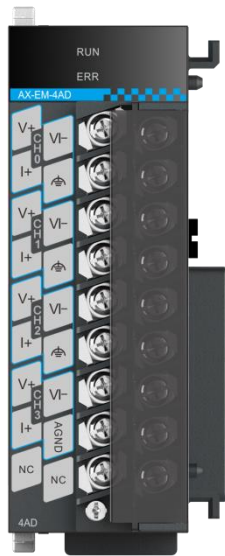
**Note:**

- The digital output module needs an external power supply for proper working.
- The module needs to be installed on a properly-grounded metal bracket, and the metal dome at the module bottom must be in good contact with the bracket.
- Do not bind the sensor cable together with the AC cable, main circuit cable, or high-voltage cable. Otherwise, the binding can increase noise, surge, and induction impact. When using shielded cables, use single-point grounding for the shield layer.

**5.4.4 AX-EM-4AD analog input module**

The wiring terminals of AX-EM-4AD analog input module are shown in the following figure. This module supports 4 inputs

of current or voltage, and uses internal 5V power supply without the connection to an external power supply.



The terminal wiring is as follows:

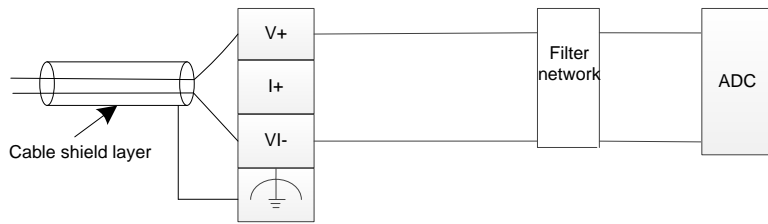


Figure 5.16 Wiring of voltage input

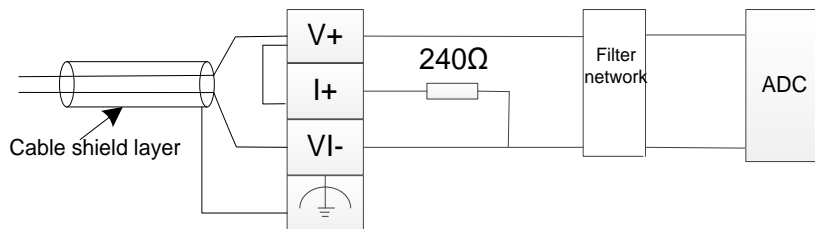


Figure 5.17 Wiring of current input

**Note:**

- For voltage input, use V+ and VI- for input, as shown in figure 5.15, and ensure the voltage input is within the range.
- For current input, connect V+ to I+ in short circuit mode, as shown in figure 5.16, and ensure the current input is within the range.
- The module needs to be installed on a properly-grounded metal bracket, and the metal dome at the module bottom must be in good contact with the bracket.
- Do not bind the analog input cable together with the AC cable, main circuit cable, or high-voltage cable. Otherwise, the binding can increase noise, surge, and induction impact. When using shielded cables, use single-point grounding