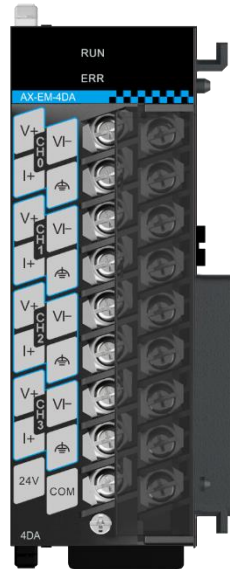


for the shield layer.

### 5.4.5 AX-EM-4DA analog output module

The wiring terminals of AX-EM-4DA analog output module are shown in the following figure. This module supports 4 outputs of voltage or current, and uses an external 24VDC power supply.



The terminal wiring is as follows:

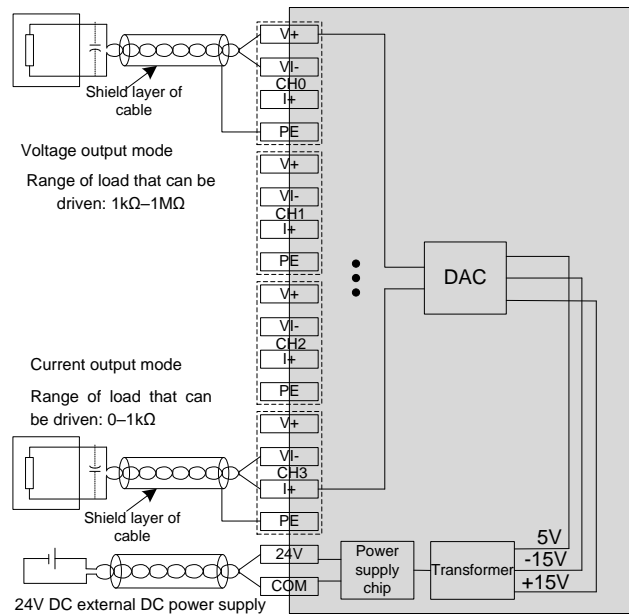


Figure 5.18 Terminal wiring

**Note:**

- Use the shielded two-core twisted-pair cable as the power cable.
- If there is noise or ripple in the external wiring, you can connect a capacitor with a capacitance of 0.1mF to 0.47mF and withstanding voltage of 25V between the V+/I+ terminal and the VI- terminal.
- The module needs to be installed on a properly-grounded metal bracket, and the metal dome at the module bottom must be in good contact with the bracket.
- Do not bind the analog output cable together with the AC cable, main circuit cable, or high-voltage cable. Otherwise,

the binding can increase noise, surge, and induction impact. When using shielded cables, use single-point grounding for the shield layer.

### 5.4.6 AX-EM-4PT temperature module

The wiring terminals of AX-EM-4PTC temperature module are shown in the following figure. This module supports measuring by using RTDs and TCs. When using RTDs for measuring, the 2-, 3-, and 4-wire systems are supported, and the internal 5V power supply is used for powering, without the need of connection to an external power supply.

