



The terminal wiring is as follows:

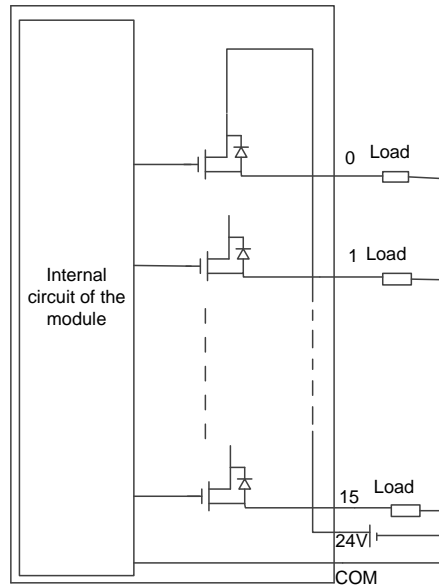


Figure 5.14 Terminal wiring

**Note:**

- The digital output module needs an external power supply for proper working.
- The module needs to be installed on a properly-grounded metal bracket, and the metal dome at the module bottom must be in good contact with the bracket.
- Do not bind the sensor cable together with the AC cable, main circuit cable, or high-voltage cable. Otherwise, the binding can increase noise, surge, and induction impact. When using shielded cables, use single-point grounding for the shield layer.

**5.4.3 AX-EM-0016DNdigital output module**

The wiring terminals of AX-EM-0016DN digital output module are shown in the following figure. This module supports 16 digital outputs of the sink type, and uses an external 24VDC power supply.



The terminal wiring is as follows:

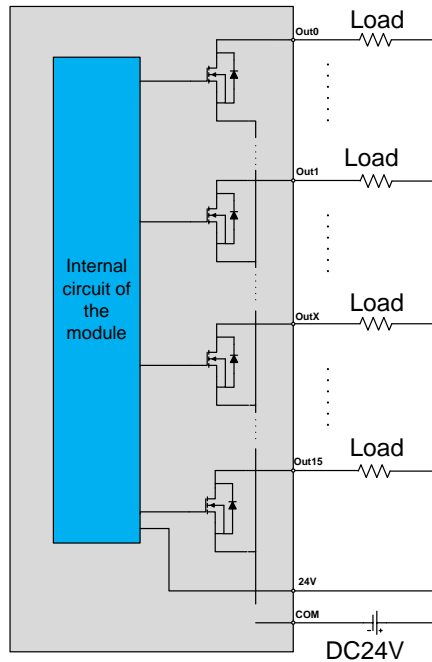


Figure 5.15 Terminal wiring

**Note:**

- The digital output module needs an external power supply for proper working.
- The module needs to be installed on a properly-grounded metal bracket, and the metal dome at the module bottom must be in good contact with the bracket.
- Do not bind the sensor cable together with the AC cable, main circuit cable, or high-voltage cable. Otherwise, the binding can increase noise, surge, and induction impact. When using shielded cables, use single-point grounding for the shield layer.

**5.4.4 AX-EM-4AD analog input module**

The wiring terminals of AX-EM-4AD analog input module are shown in the following figure. This module supports 4 inputs