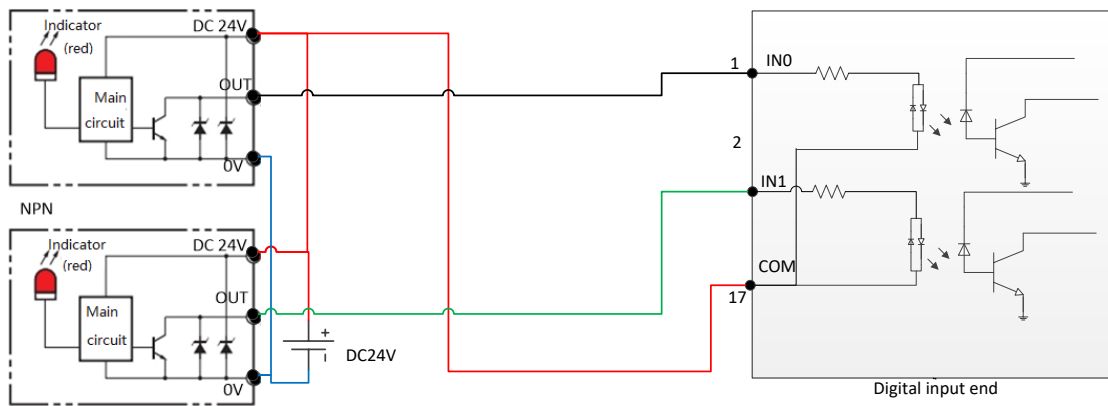


A.2 AX-EM-1600D digital input module

AX-EM-1600D digital input module has 16 inputs, sharing a common terminal. The following figure takes photosensor as an example to describe the wiring methods when the output interface types are NPN and PNP respectively.

1) When the photosensor output interface type is NPN, the wiring method is as follows:



2) When the photosensor output interface type is PNP, the wiring method is as follows:

