

Remote Keypod for the QFE/XFE Range of Soft Starters

Easy Installation - Easy Set Up – Reliability

Panel mounting

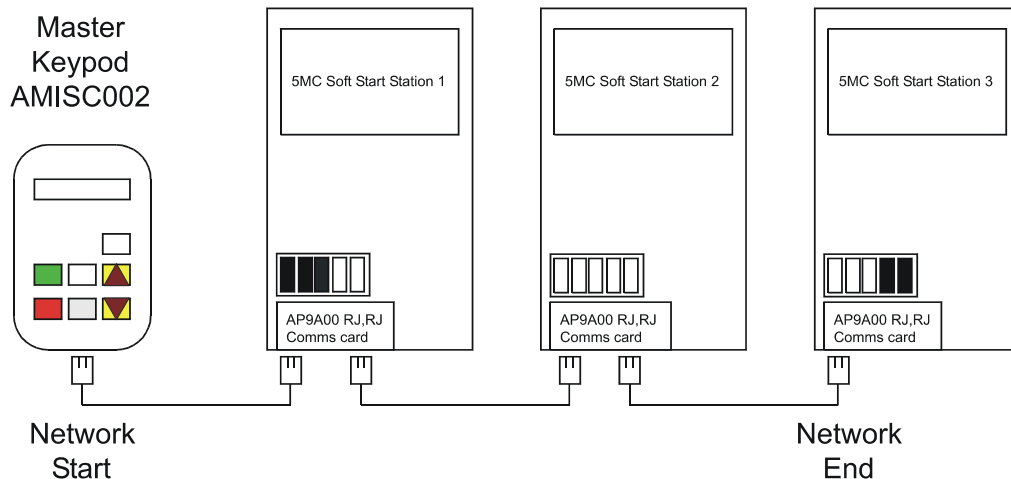
The Keypod is invaluable for multiple installations and can eliminate many control items.



Remote Keypod For the QFE/XFE Range of Soft Starters

- Can be used on a one to one basis, or one Keypod can control several Soft Starters
- Seven buttons with individual Start and Stop
- Display via a 2 line 32 character LCD
- Eliminates panel mounted Start and Stop push buttons, Ammeters, Run, Top of Ramp and Alarm Lamps
- The Keypod gives continuous display of motor phase current and control status, Starting, Stopping, Full Volts, Optimising, Current Limitation, Overload and Fault Indication

Keypod Concept



SD0005304