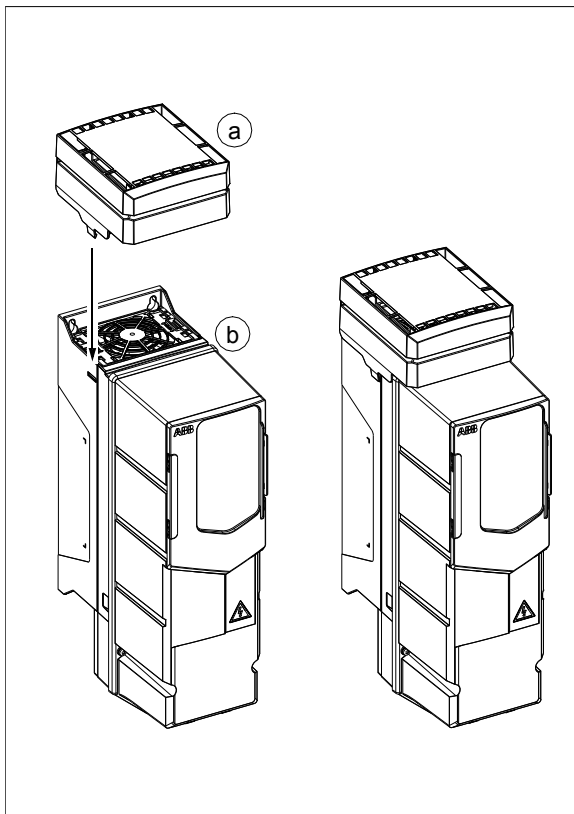


## Installation guide

# UL Type 12 hood for ACS580-01, ACH580-01 and ACQ580-01

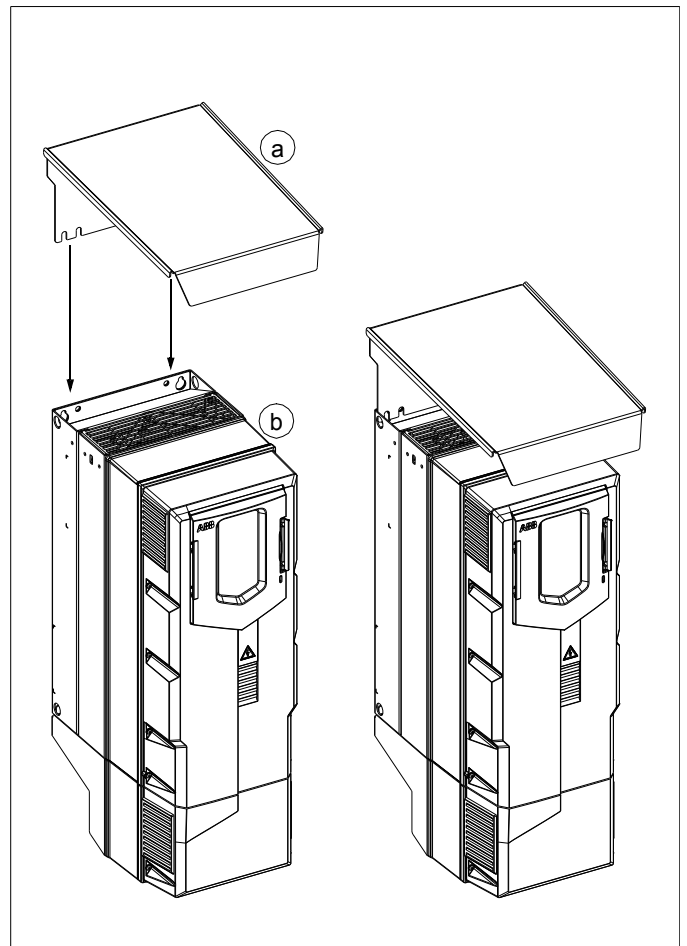
### Frame sizes R1 to R3:

1. Push the hood plate down on the drive until you can hear a click to make sure the hood plate has been secured.



### Frame sizes R6 to R9:

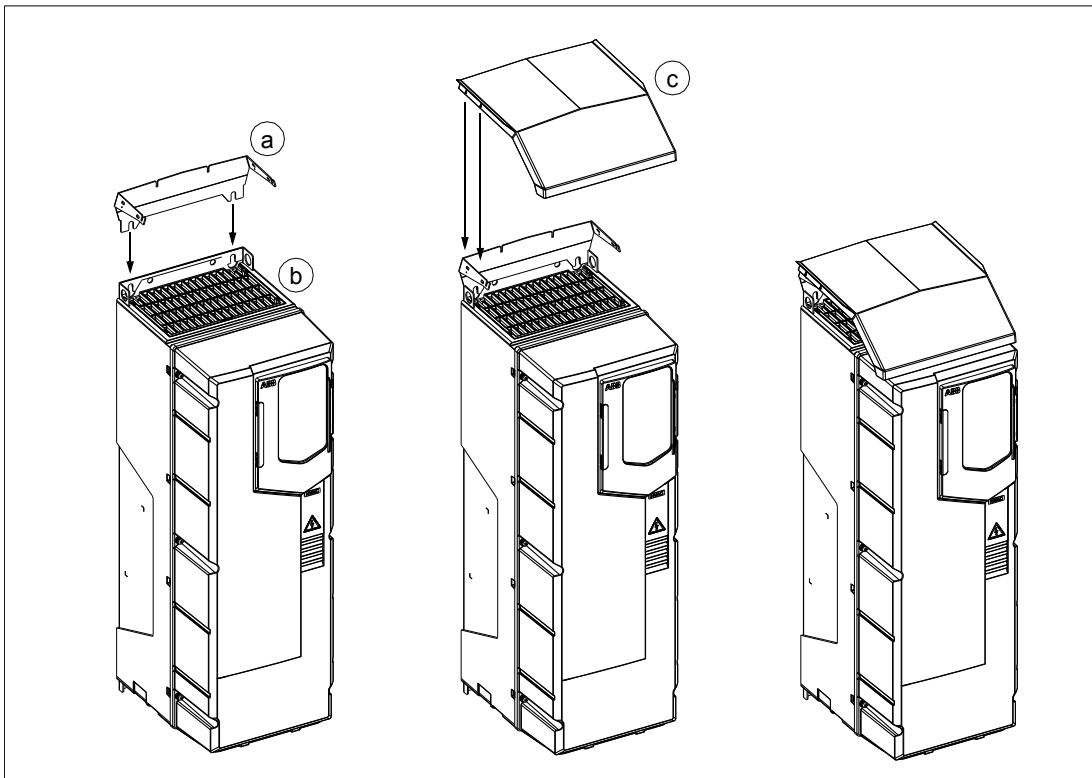
1. Loosen the mounting screws somewhat if necessary.
2. Set the hood plate on the drive.
3. Tighten the drive mounting screws until the hood is fastened securely.



No.	Description
a	Hood plate
b	ACx580-01 drive

### Frame sizes R4 and R5:

1. Loosen the mounting screws somewhat if necessary.
2. Set the fastener plate on the drive.
3. Tighten the drive mounting screws until fastened securely.
4. Set the hood plate on the fastener plate.



No.	Description
a	Fastener
b	ACx580-01 drive
c	Hood plate